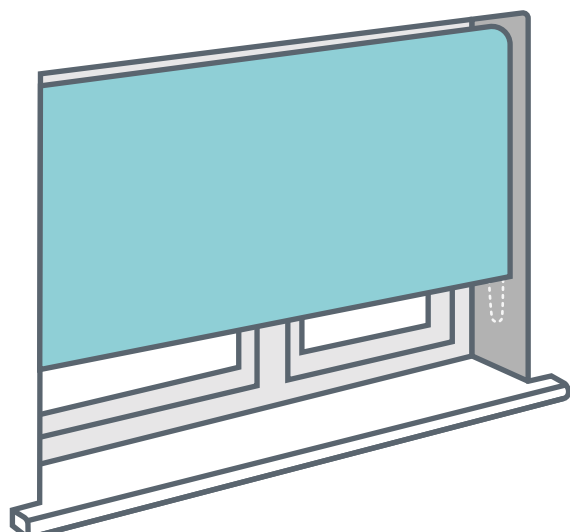


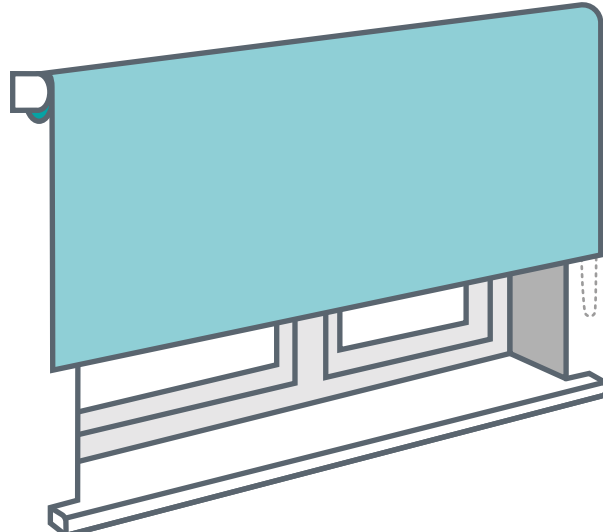
How to measure for your new roller blinds

Option 1: Fitting your blind inside the window recess



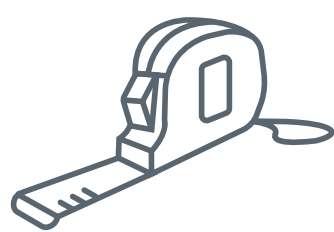
- ✓ Ideal for most windows (outward opening or sash) - please ensure your recess is at least 6 cm deep.
- ✓ Brackets can be fitted to the top of the recess or the sides of the recess.

Option 2: Fitting your blind outside the window recess

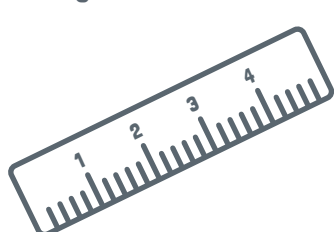


- ✓ Ideal for windows which have a minimal recess or are flush to the wall.
- ✓ Brackets are fitted to the wall above the window.

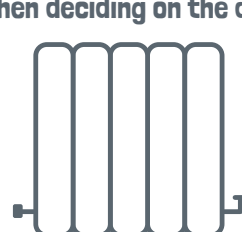
Use a metal tape measure to get the most accurate measurements.



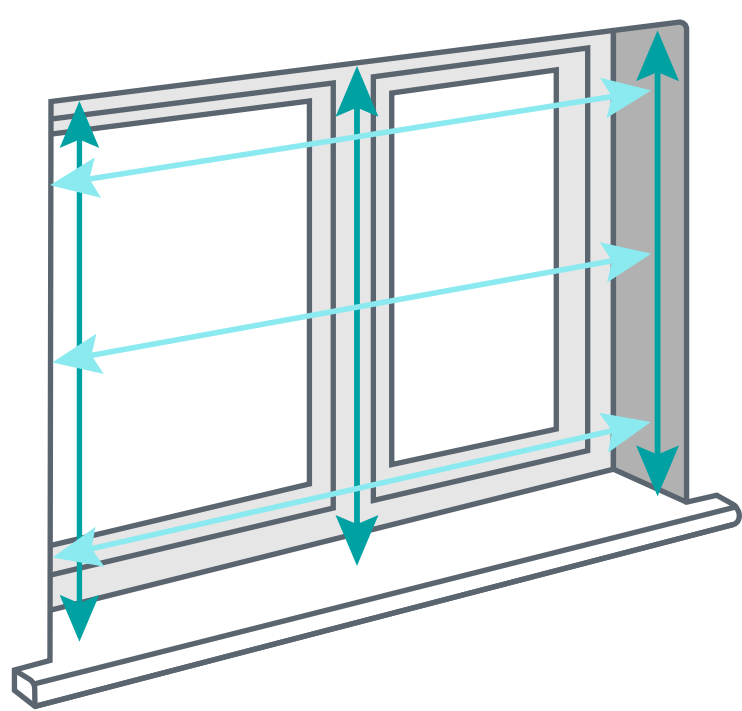
Ensure all measurements are taken to the nearest millimetre or 1/16 inch (e.g. 120.7cm or 1207mm)



For a blind fitted outside the window recess, consider any obstructions below your window when deciding on the drop.

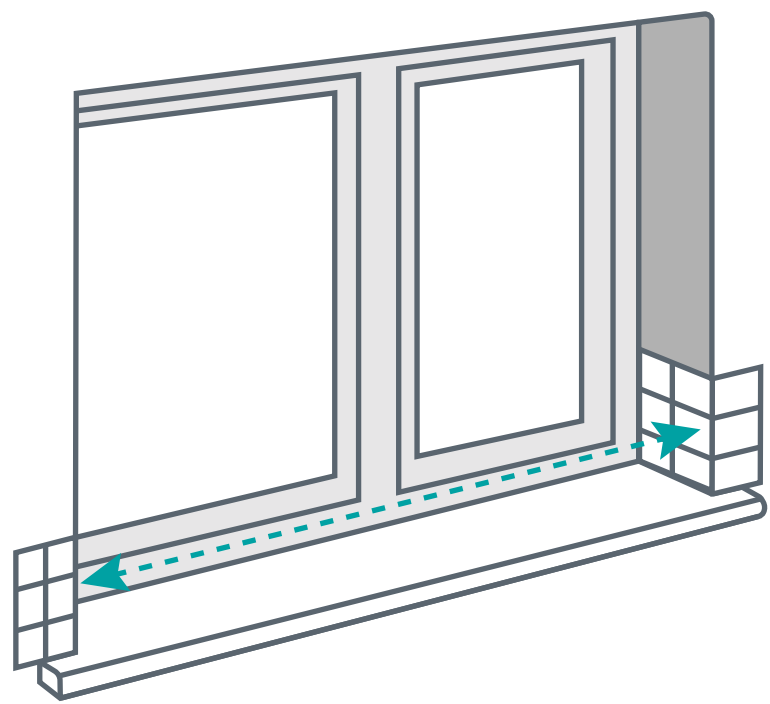


Measuring for a blind to be fitted inside the recess



First, measure across the top, middle and bottom of the recess (the horizontal arrows shown). Ensure you measure from edge to edge of the whole window recess. When ordering your blind, please provide us with the smallest of these 3 measurements.

Next, take the measurements for the window drop (top to bottom of the recess). Again, please take 3 measurements and provide us with the smallest.

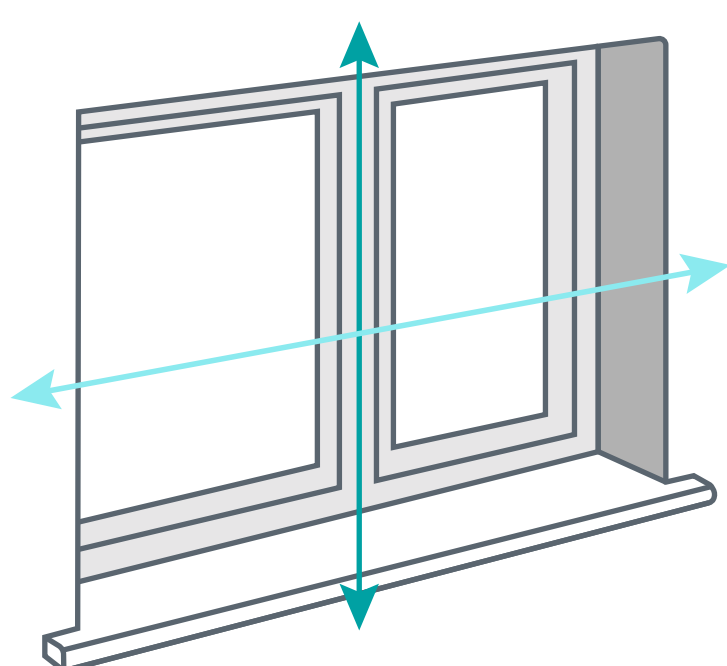


If you have tiles part-way up your recess (often the case in kitchens and bathrooms) then the space between them is most likely to be the narrowest point in the recess, so this is the measurement you should be providing us with.

In this case, please note that you may need to fix your blind brackets to the top (rather than sides) of the recess.

Note: Please don't make any adjustments to your recess measurements, we will do all of that to ensure your roller blind fits perfectly.

Measuring for a blind to be fitted outside the recess



If you want to hang your blind outside of the window recess, then please provide the **total width and drop of the fabric** you would like the blind to be. We recommend the blind overlaps the window by at least 6cm on all sides.

In case of obstructions on either side of your window, please note that the brackets at the top will stick out a little wider than the blind fabric itself (approximately 3cm on either side).

Note: If you are replacing an existing blind fitted outside the recess with one of the same size, simply measure the existing blind fabric.